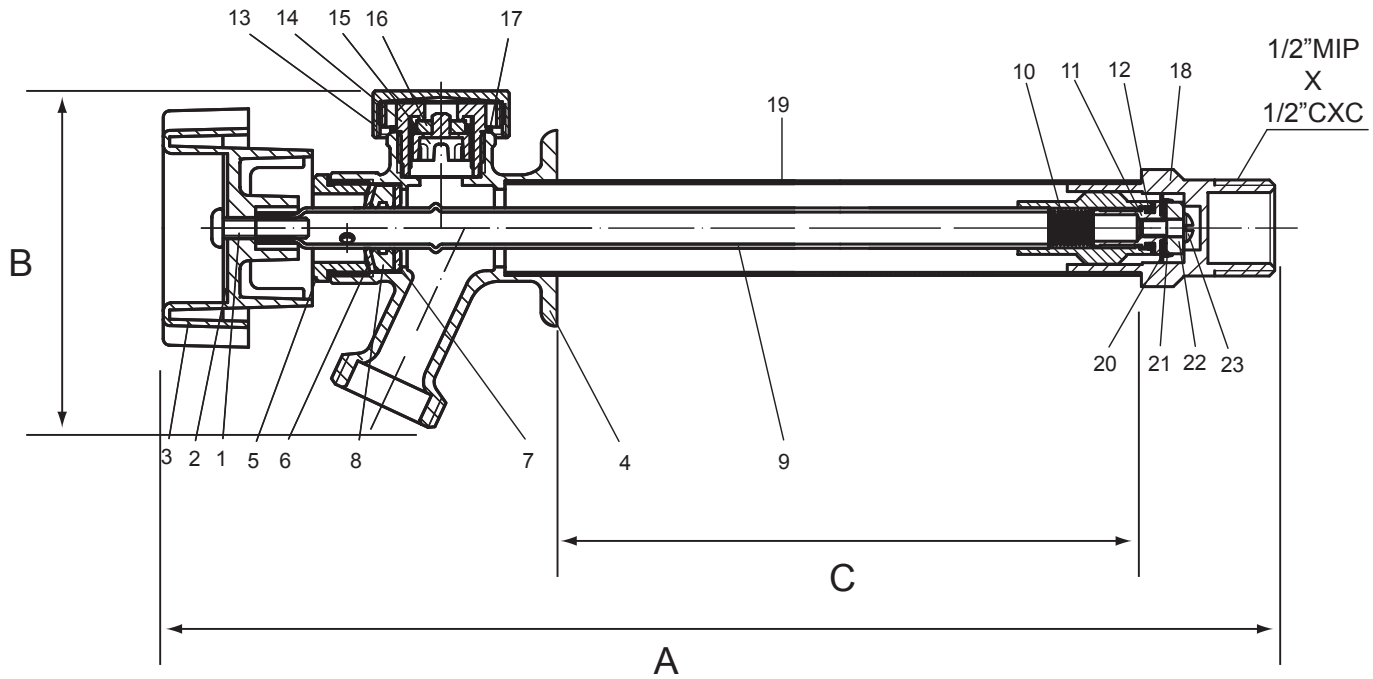


AQUA-DYNAMIC WALL HYDRANTS, ANTI-SIPHON 1392-XXX



MATERIAL SPECIFICATION			
PART	MATERIAL	SPECIFICATION	
1	SCREW	BRASS	JIS C2600
2	LABEL	ALUMINUM	JIS A1050P-H16
3	HANDLE	ALUMINUM, ABS	ADC 12, AF3500
4	BODY ASSEMBLY	BRASS C.P.	ASTM B584-C857
5	STEM HOLDER	BRASS	JIS C3604
6	WASHER	S/STEEL	#304
7	WASHER	S/STEEL	#304
8	PACKING	RUBBER	NBR
9	STEM	BRASS	ASTM C27000
10	SPRING	S/STEEL	#304
11	PLUG	BRASS	JIS C3604
12	O-RING	RUBBER	NBR
13	VB COVER	ABS C.P.	AF3500
14	SCREW	POM	FM090
15	STEM	POM	FM090
16	SEAT	RUBBER	NBR
17	O-RING	RUBBER	NBR
18	ADAPTER	BRASS	JIS C3604
19	TUBE	BRASS	ASTM C27000
20	PACKING	RUBBER	NBR
21	STEM WASHER	BRASS	JIS C3604
22	SEAL	RUBBER	NBR
23	SCREW	BRASS	JIS C2600

DIMENSIONS			
	A	B	C
Size			
4"	8.57	3.11	4
6"	10.57	3.11	6
8"	12.57	3.11	8
10"	14.57	3.11	10
12"	16.57	3.11	12
14"	18.57	3.11	14